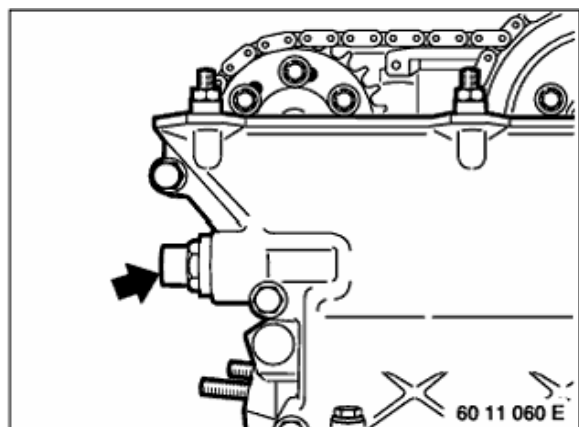


Remove upper section of suction filter housing style with mass air flow sensor.

Remove lower section of suction filter housing.



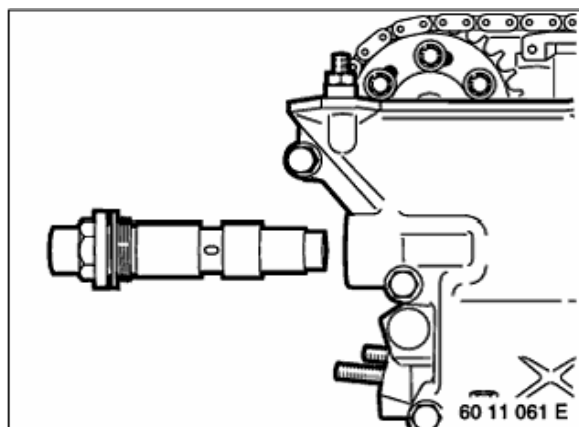
Unfasten screw connection.

Installation:

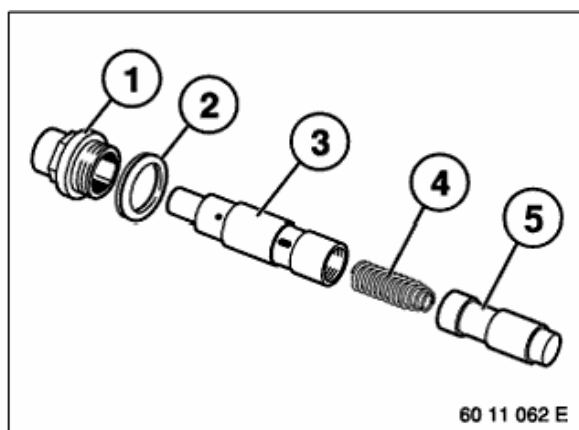
Replace sealing ring.

For tightening torque,

refer to Technical Data 11 31 7AZ



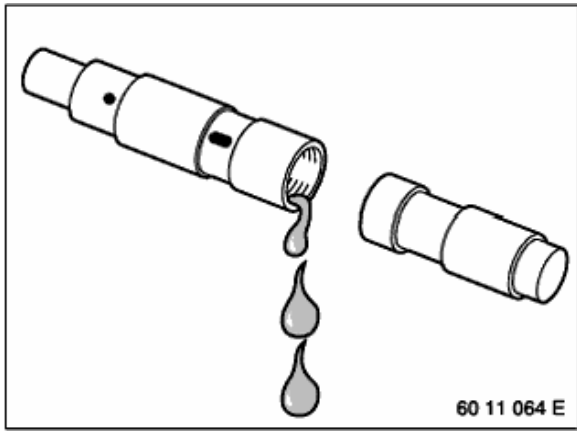
Remove screw connection and piston for chain tensioner.



Arrangement of Components:

- (1) Screw plug
- (2) Sealing ring
- (3) Sleeve
- (4) Recoil spring
- (5) Hydraulic piston

Tapered end of recoil spring (4) faces hydraulic piston (5).



Installation:

To simplify assembly, drain oil chamber between sleeve and hydraulic piston.