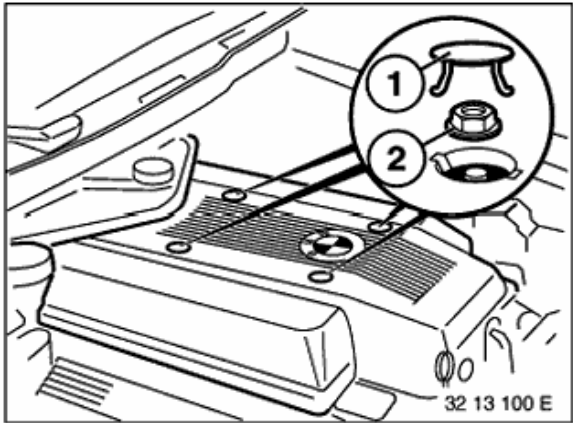


Switch off ignition.



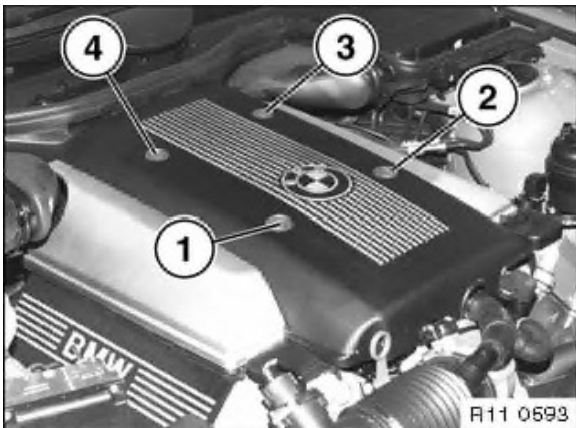
#### Version 1:

(Acoustic cover screwed down)

Remove sealing caps (1).

Release nuts (2).

Remove acoustic cover.



#### Version 2:

(Acoustic cover with press-stud fastener)

Press press-stud fasteners (1 to 4) in succession and simultaneously raise acoustic cover slightly. Acoustic cover can be unlocked when all four press-stud fasteners have been unlocked.

#### Installation:

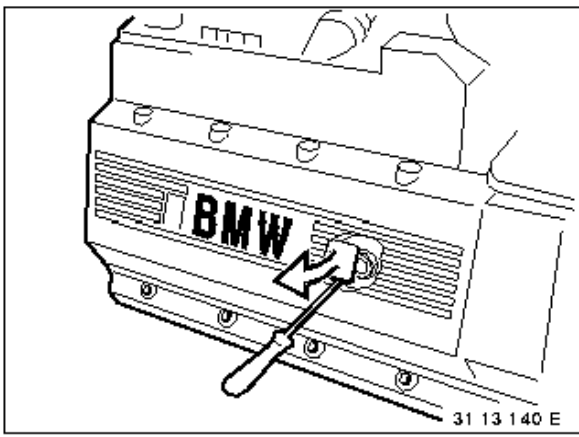
Position acoustic cover and press downwards until press-stud fasteners (1... 4) are heard to engage.



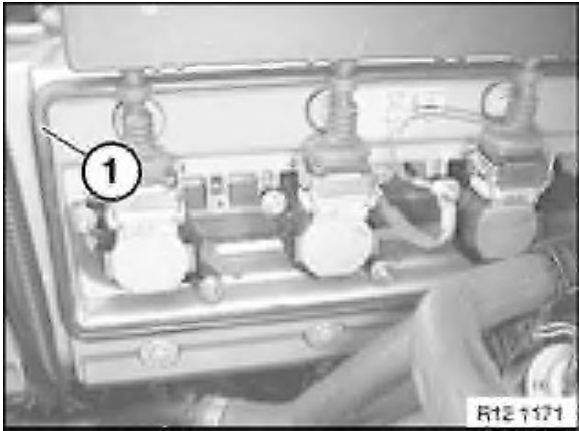
#### Version 3 (E53):

Turn fasteners on acoustic cover 90° counterclockwise.

Remove acoustic cover.

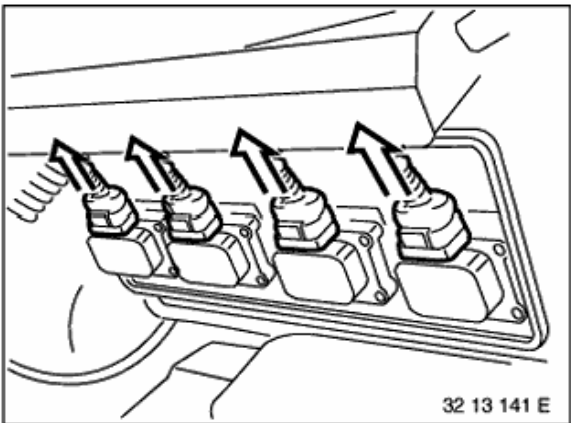


Remove sealing caps on covers of ignition coils.  
Release nuts.  
Remove covers on ignition coils.

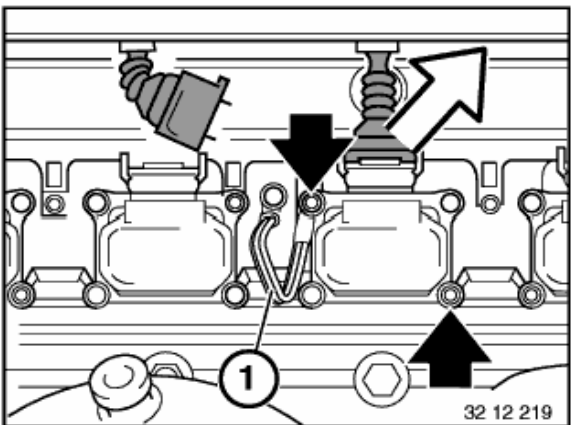


**Installation:**

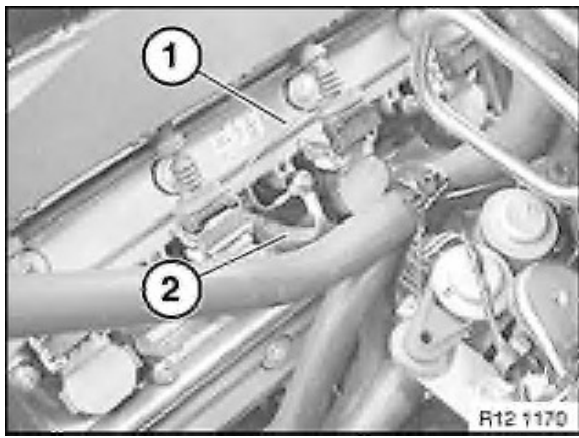
Check profile seal (1) for damage and correct seating, replace if necessary.



Disconnect plug connections on ignition coils.



Release screw connections on ignition coils.  
Remove ignition coils.



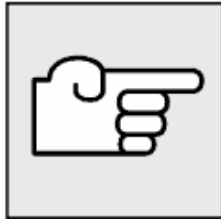
**E31, E38, E39:**

Screw grounding straps to ignition coils of cylinders 3 and 6.

**E53:**

Screw thin grounding cable (1) to ignition coil of cylinder 2 or 7.

Screw thick grounding cable (2) to ignition coil of cylinder 3 or 7.



**Note:**

Interrogate fault memory of DME control unit.

Check stored fault messages.

Rectify faults.

Now clear the fault memory.