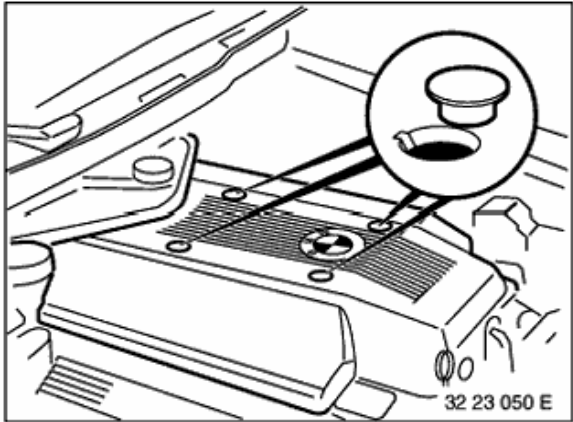


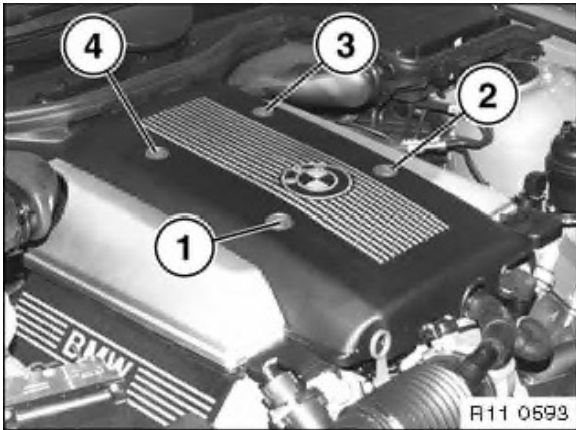
Note instructions on connecting and decoupling battery, refer to General Information MG12
Disconnect negative battery lead.



Version 1

(acoustic cover screwed down)

Pry out sealing cap. Unscrew nuts.
Remove acoustic cover.



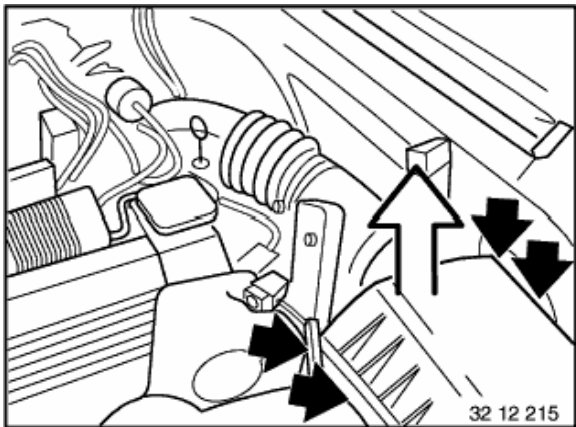
Version 2

(acoustic cover with press-stud fastener)

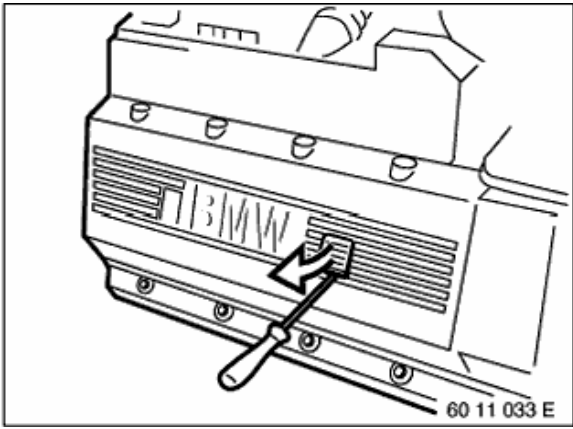
Open press-studs (1 ... 4) one at a time, at the same time lifting the acoustic cover slightly. Once all four press-studs have been opened, remove the acoustic cover.

Installation:

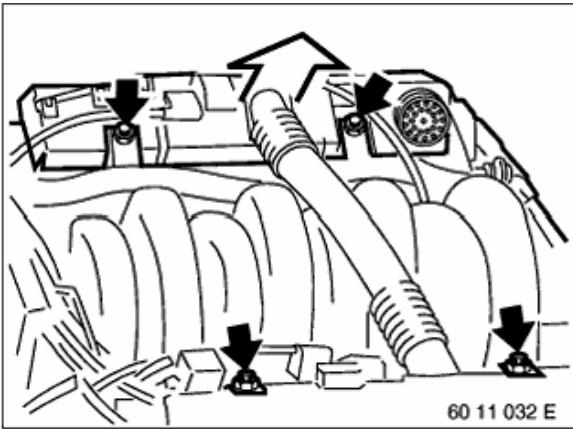
Position acoustic cover and press downwards until press-studs (1 ... 4) click into place.



Remove suction-filter housing with air-mass sensor, refer to 13 71 000



Remove covers from ignition coils.
Remove ignition coils,
refer to 12 13 511



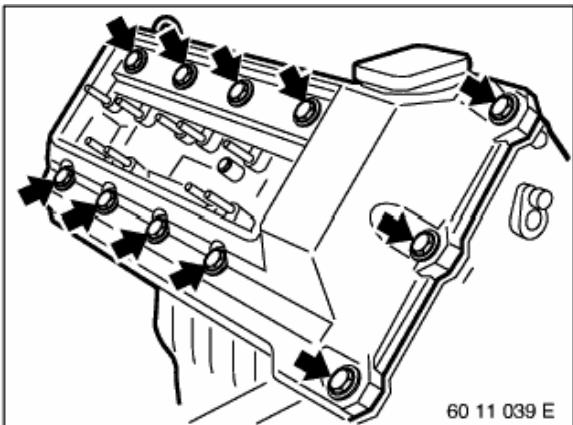
Unfasten left and right cable ducts and fold inwards.

Note:

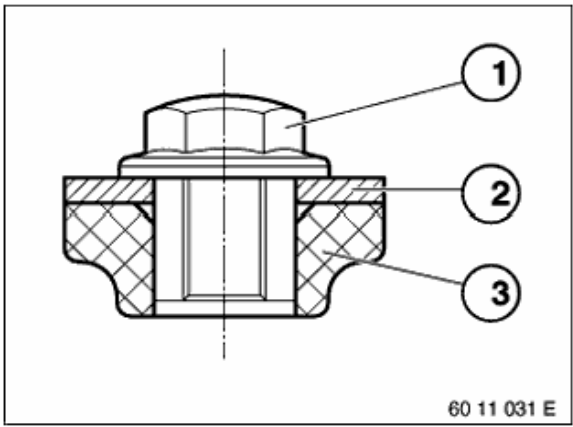
Note cable guide and plug connection to transmission control unit and to coolant manifold.



Unfasten positive battery terminal on battery support point.



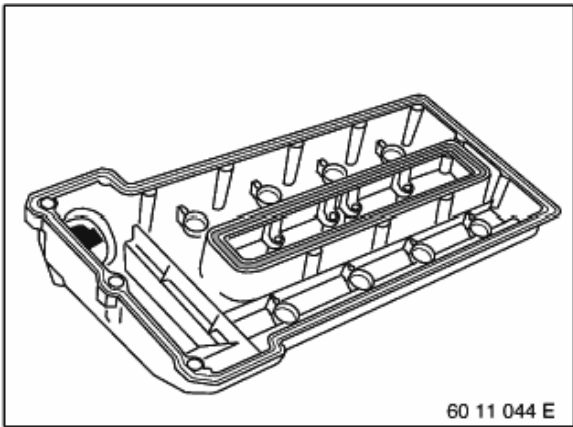
Unfasten retaining elements on left and right sides.



Installation:

Layout of retaining elements:

- (1) Nut
- (2) Washer
- (3) Rubber mount

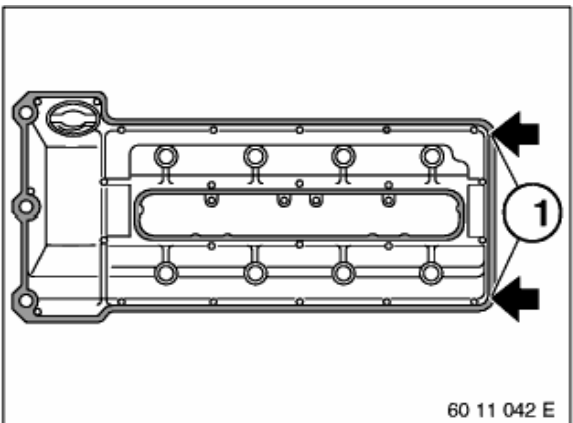


Installation:

Check seal, replace if necessary.

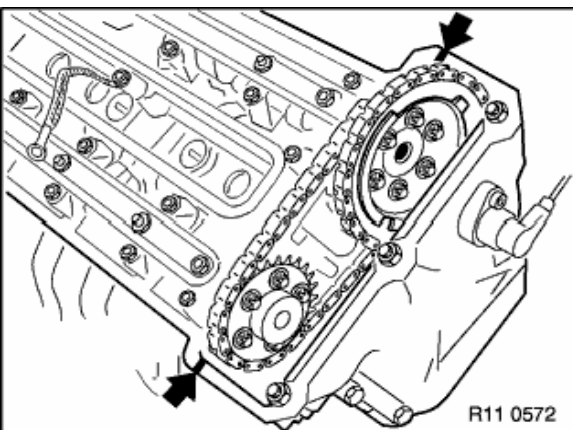
Coat outer and inner grooves and sealing face of cylinder head cover all round with anti-friction rubber coating, e.g. glycerine.

Press internal gasket into groove in cover without torsional stress, starting at the four corner radii.



Installation:

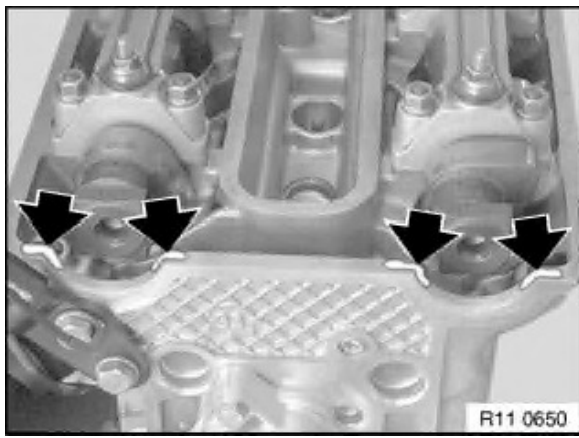
Align outer gasket loosely on groove in cover. Secure gasket in groove in cover, starting in the corner radii at the back (1) and locate without torsional stress in the groove.



Installation:

Clean gasket residue from sealing surface.

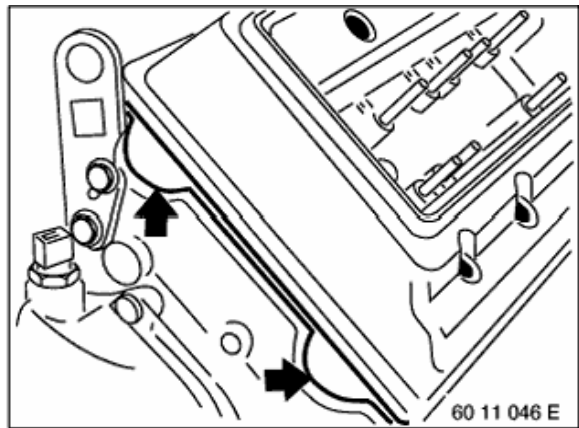
Apply coat of Drei Bond 1209 (refer to BMW Parts Service) to contact surfaces of joint.



Installation:

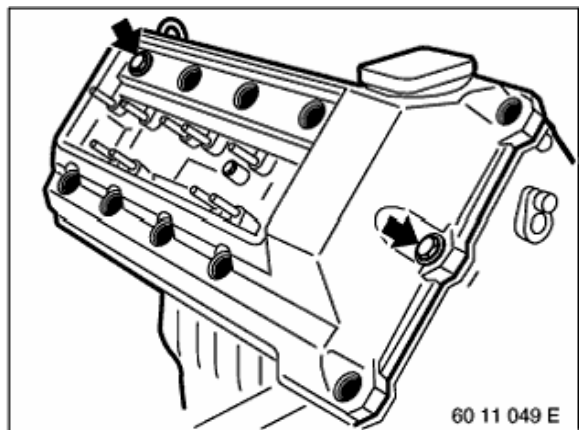
Clean gasket residue from sealing surface.

Apply thin, uniform bead of Drei Bond 1209 (refer to BMW Parts Service) to transmission area on half-moon sections.



Installation:

Check that side of gasket is correctly seated and check back of cylinder head.



Installation:

Screw two retaining elements to the locating points, without preload at this stage, and align the cover. Install all other retaining elements and tighten crosswise from inside to outside.